

Two-Part Impaling Clip with Z-Bar System

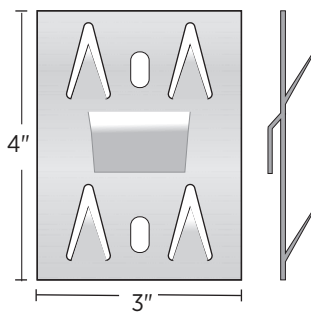
This system is for use with our acoustical panels when mounting to a wall. This system is desirable in situations where more security might be needed versus our standard 4 prong Impaling Clips.

The two parts of this system are a modified Impaling Clip and a continuous Z-Bar hanging bar that interlock. Use the guide to the right to determine the number of Impaling Clips required.

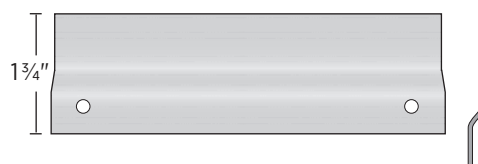
Panel Size (in square feet)	Number of Two-part Clips
16 or less	4
17 to 32	6
33 to 50	8



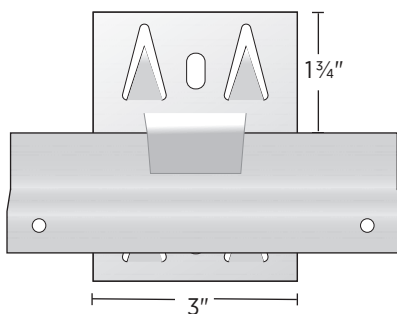
A Impaling Clip
front and side view



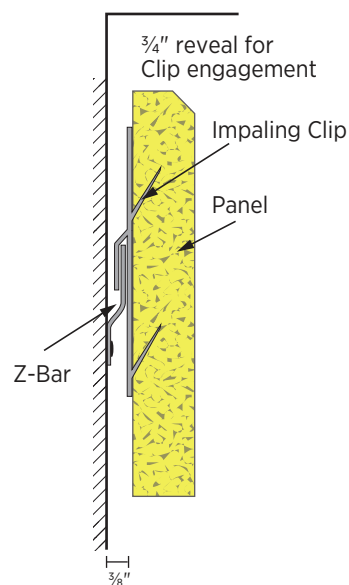
B Z-Bar (length continuous)
front and side view



C Impaling Clip and Z-bar interlocked
front view



D Impaling Clip and Z-bar
side view installed



INSTALLATION INSTRUCTIONS:

1. After determining the panel location on the wall, install the Z-Bar (**B**) to the wall in a position acceptable to receive the impaling clip, making sure the Z-Bars are level. **Note:** This mounting method requires a $\frac{3}{4}$ " reveal between the ceiling and the top of the panel (**D**).
2. Install the Impaling Clips (**A**) into the back of the panel matching the location of the Z-Bar. To install simply press the clip with the 4 impalers going into the back of the panel (**D**). Make sure the clips are level. **Important:** The clips should be at least 6 inches in from the corners and then evenly spaced according to panel size and number of clips, with an even amount on the top and the bottom of the panel.
3. To hang the panel on the wall, lift panel above the Z-Bar, and lower until the Impaling Clips engage with the Z-Bar (**C, D**). Be sure the clips are fully engaged and in place.